

AS2970 - EOW Handset Interface Unit

Connects to AS2950

Powered Derived from AS2950

Audible & Visual Call Indication

Description

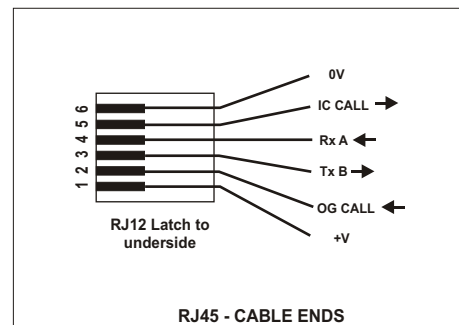
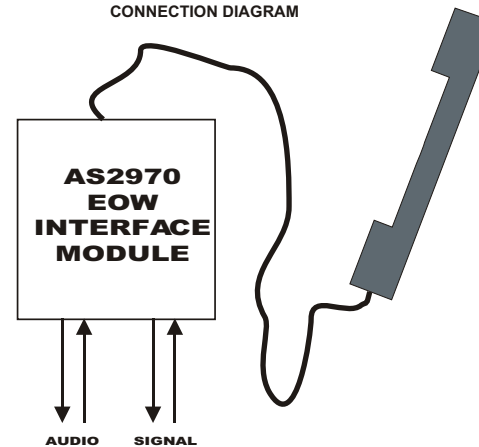
The AS2970 EOW Handset Interface Unit provides a method of allowing an incoming and outgoing call to the AS2950 Line Switching Unit. The interface module in-line with the handset is equipped with a buzzer and lamp to show the condition of the incoming calls and a push button to create outgoing calls.

The module derives power from the AS2950 so does not require any further batteries or PSUs.

Connection to the AS2950 is via a standard RJ12 connector with the handset connector to the module being RJ10.



CONNECTION DIAGRAM



Technical

Handset

5m Coily Cord
Integral Call Button
Noise Cancelling Microphone
Adjustable for Tx & Rx

Line Connection

RJ12 for simple unit connection
Audio set for Flat Response Through

Power

Derived from attached equipment

Weight - 125g

Size -85 x 90 x 40mm

Operation

Press CALL button momentarily to create an outgoing call.

Distant end will sound buzzer for upto 30secs or untill answered.

Incoming calls shown visually with LED and audibly by buzzer.