

AS1800 - ROLI/RILO to AC15 Converter

Bi-Directional Conversion

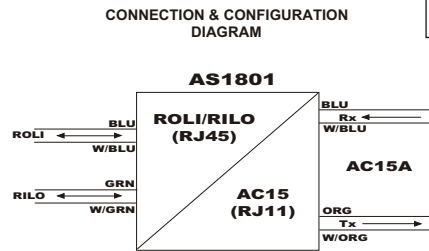
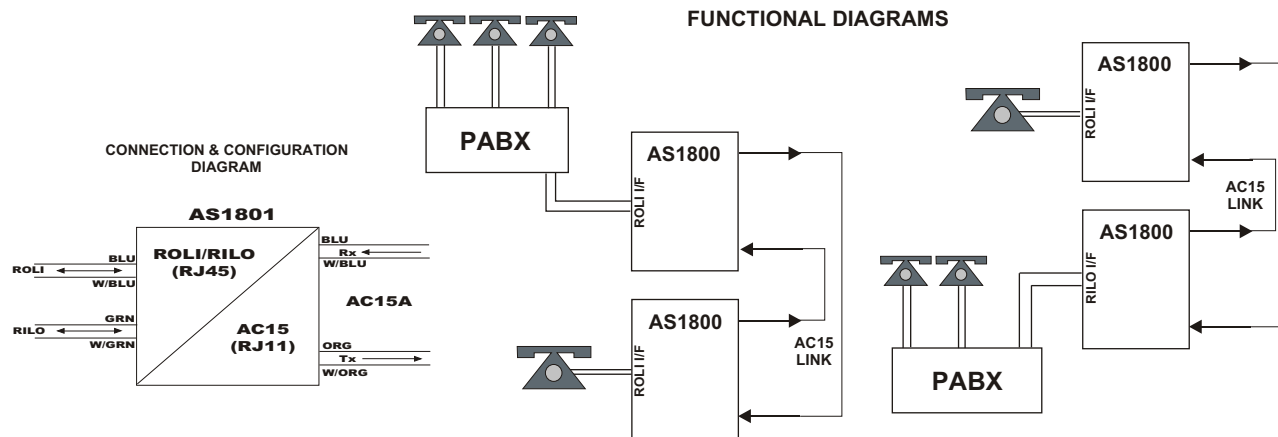
Small Compact Unit

24V External In-Line Power Unit

Description

The AS1800 converts from ROLI or RILO to AC15A. Signalling to the AC15 line is provided on the RJ12 connection where as the ROLI/RILO connection is presented on the RJ45. The ROLI/RILO connections are presented on different pairs of the RJ45 and are switch selectable on the side of the unit. This allows either unit to be used as a ROLI or RILO which means that either a long line extension or Hotline system can easily be created.

Power is supplied via a external in-line PSU providing the unit with 24Vdc from 110-240Vac.



Technical

AC15A

Terminated - 4W 600ohm
 Signalling - 2280Hz @ -14/-24dBm
 Tone On Idle Both Ways
 Passes Pulse or DTMF Dialling

ROLI

24V Battery Line Feed
 55Vrms Ringing @ 25Hz

RILO

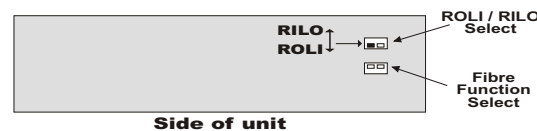
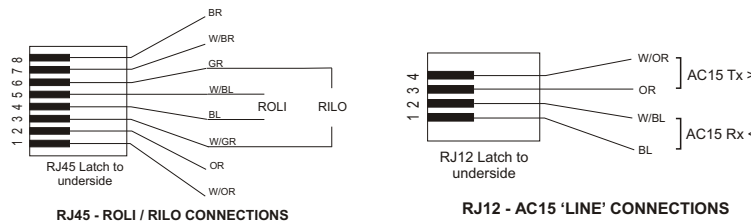
Loop to Line (BS6305)
 REN 1

Unit Powered from 24Vdc

Supplied with all associated cables
 Standalone Desk or Wall Mount Unit

Weight - 350g

Size - 180 x 90 x40 mm



LED Operation

Rx GRN - OFF when TONE ON (Idle)
 Rx GRN - ON when NO TONE (Seize/Call)
 Tx RED - OFF when 'M' Earth Off (Idle)
 Tx RED - ON when 'M' Earth On (Seize/Call)