

AS0350 - PABX to Radio Interface

Wall Mount Unit

Interfaces to Standard Trunk Port

Interface Cables for Various Radios

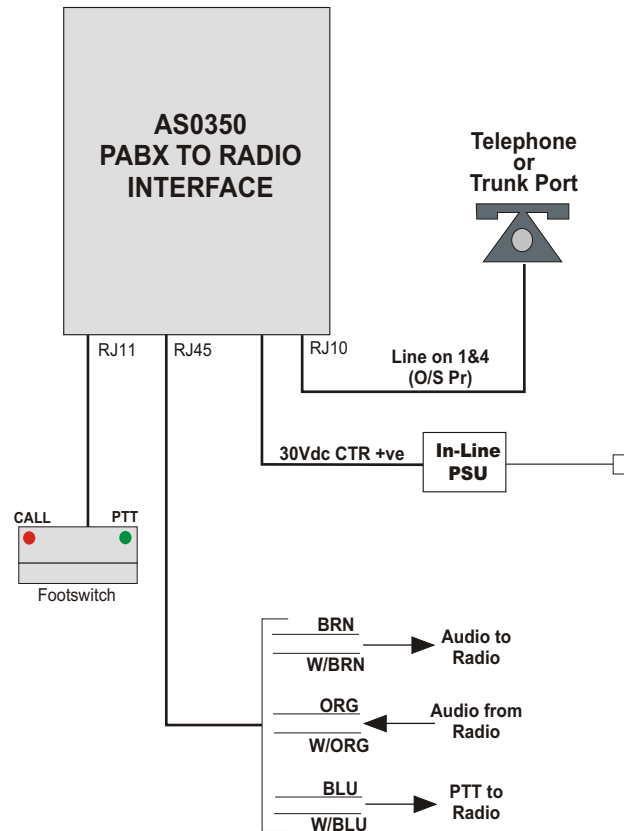
Description

The AS0350 can interface to a simplex radio set from a trunk port of any standard telephone system. As standard the unit links to a single radio set but could be modified to link to numerous radios with a selective front end, ie press 1 for first radio, 2 for second etc.

The unit has two in-built interfaces for external PTT footswitches, these switches are equipped with lamps showing CALL & PTT status.

The radio can also be keyed from the PABX using standard DTMF tones from the handset with a '*' enabling the PTT and '#' releasing.

A full accessory kit is available for the system with adaptors to allow connection of footswitches over Cat5, expander units for up to 6x footswitches and wall mount display units to show system status to users.



Specification

ROLI port for Tele/Trunk Connection
Battery Feed 24V nominal
Supports DTMF Dialing

PSU 24-30Vdc 750mA I/P100-240Vac 50-60Hz

RJ11 Connectors for 2x Footswitch Conns
RJ45 for connection to radio set
RJ10 for telephone/trunk connection

Wall Mount Enclosure
Size - 240 x 160 x 35mm
Weight - 500g (inc PSU & cables)

Factory Options

Multiple radio channels can be accommodated
Channels selectable by DTMF
Adaptors available for most Radios

Installation & Testing

Connect trunk port or telephone to RJ10

Connect radio set as per Fig1 to RJ45

Connect footswitches direct to RJ11 or via connector block if more than 2x switches

Alistair Douglas
20/10/03

Fig1 : Installation Diagram