

1U - Unilink Hotline Unit

Integral Connections

Mains Powered

1U Rack Mount Enclosure

Description

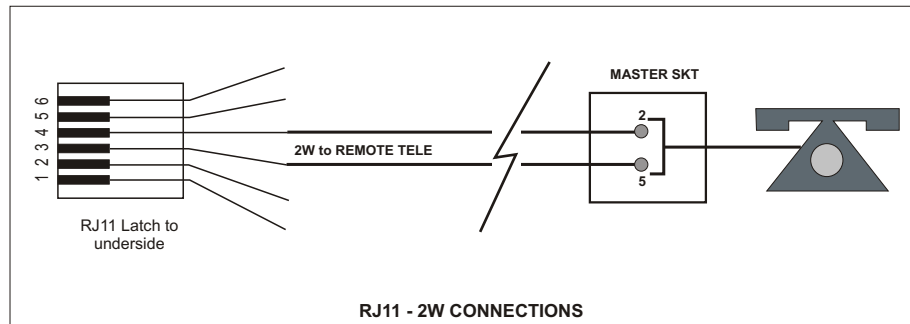
The UNILINK is a basic Hotline unit for connecting two simple 2W telephones over copper cable up to a distance of 6Km.

The unit can be powered from an IEC mains source.

All line feed, ring generator and supervisory tone circuits are contained in a single enclosure for stand alone installation.

Typical uses are for independent hotline systems for lift shafts, point to point links in field environments, surgeries etc.

Alternative versions are available for portable or fixed installations including a rugged enclosure version for field use.



RJ11 Latch to underside

2W to REMOTE TELE

RJ11 - 2W CONNECTIONS



AC Power Source

Up to 6Km



Technical

240Vac Powered
RJ11 for Telephone Connection
Internal Ring Generator
REN=4

Weight - 2kg
Size - 434 x 45 x 290 mm



David Allan
05/08/15