

AS2960 - ASS10D - 10 Slot Dual PSU Shelf

Standard 3U 19" Format

Holds 10x Single Extended Eurocards

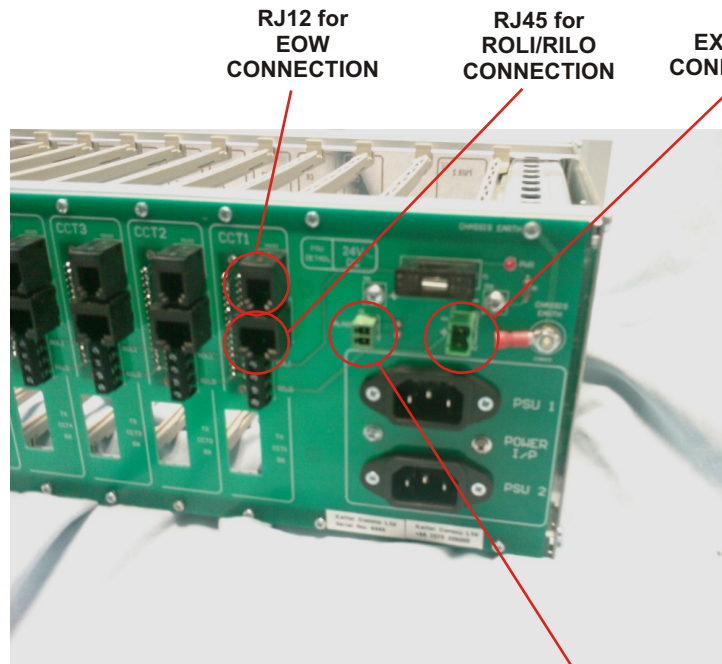
Dual 24V PSUs

Description

The AS2960 ASS10D Shelf is of standard 3U 19" construction ready for fitment to a 19" cabinet. It can house up to ten single extended eurocard PCBs with a backplane configured for access to line, equipment and EOW ports on each set of card connections.

The backplane is equipped with two panel mounted IEC connectors for external 240Vac connection. Unit also has a two pin pluggable screw terminal connections for power take off from the unit or to allow external power to be fed to the shelf. Each converter slot is equipped RJ45s for line and equipment connections and RJ12 for EOW Interface.

The unit is also fitted with an earth stud for Protective Earth and one for Chassis Earth. These can be linked if required and provide a method of connecting back to a clean mains earth point.



RJ12 for EOW CONNECTION

RJ45 for ROLI/RILO CONNECTION

EXT PWR CONNECTION

BACKPLANE VIEW

ALARM O/P



AS2240 PSU
(Fits into slots in AS2960 shown opposite)

2x PSU Slots for 24Vdc PSUs



Front View of ASS10D

10x Slots for Line Switch Converters