

AS2850 & AS2860 Hotline System

Can support 8 - 32 Channels

Modular system

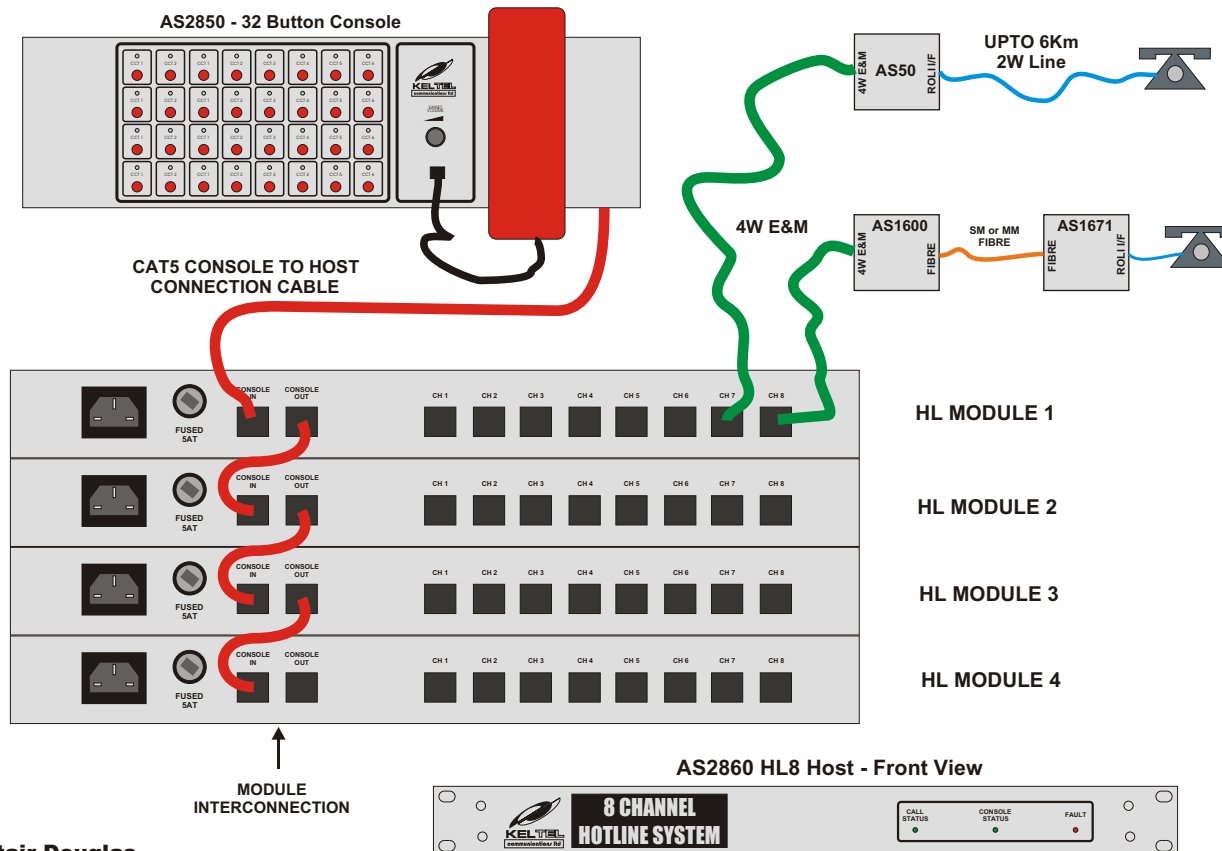
Integral Controller Handset

Description

The system created by the AS2850/2860 combination is capable of being expanded from a basic 8 channel system to 32 channels in a modular method by adding additional modules with interconnection cables. Each 4W E&M port of the host unit can be connected to an external converter to either fibre (Multimode or Singlemode), AC15 or ROLI/RILO all via standard Keltel Signalling Converters. Connections to the Keltel shelf unit are configured as to allow a standard cat5 cable to be used to connect the HL module directly to the signalling unit.

Call conditions for any port are shown by a flashing red lamp for incoming, flashing green lamp for outgoing and solid green for call established. In addition to the standard calling function the console can be enabled for ALL CALLS, by pressing this it will create a call to all ports that have the ALL CALLS switches set in the AS2860 base unit.

The system has an option to restrict multiple calls to ensure an announcements cannot be made to the wrong party but if the ALL CALLS facility is enabled this feature must be disabled..



Technical

AS2850

Fitted to a standard 19" 3U panel with handset and volume control
 Dimensions - 482 x 132 x 50mm .
 Powered from In-Line 48Vdc PSU

AS2860

Housed in a 19" 2U enclosure with rear mounted sockets for connections to console and to each E&M remote device.
 Dimensions - 482 x 88 x 285mm
 Powered from integral PSU (240Vac I/P)

4W E&M Ports

Terminated - 4W 600ohm balanced
 Type 5 Signalling Standard
 Can be altered by links on each port

Console Ports

CAN Data Connection
 Tx/Rx 600R Balanced

LED Operation

Incoming Call - Fast Flash Red
 Outgoing Call - Slow Flash Green
 Call On Hold - Slow Flash Red
 Call Established - Solid Green
 Call Clear - Lamp Off