

AS2764 - Telephone Line Alert Unit

Wall Mount Unit

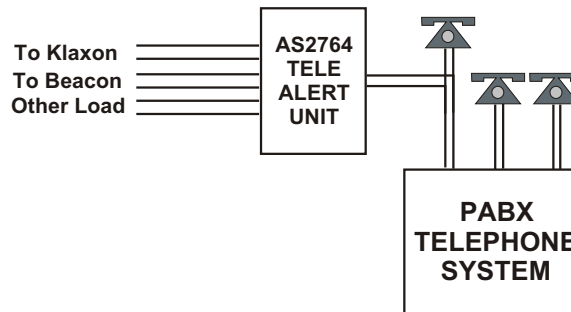
Interfaces to Standard Trunk/Ext

Dry Contact & Open Collector Out/In

Description

The AS2764 provides a method of switching a beacon, klaxon or other load from a ringing or off-hook telephone line. The unit can be set to detect ringing and latch a relay (or open collector output) on then reset based on time, off-hook or external reset switch.

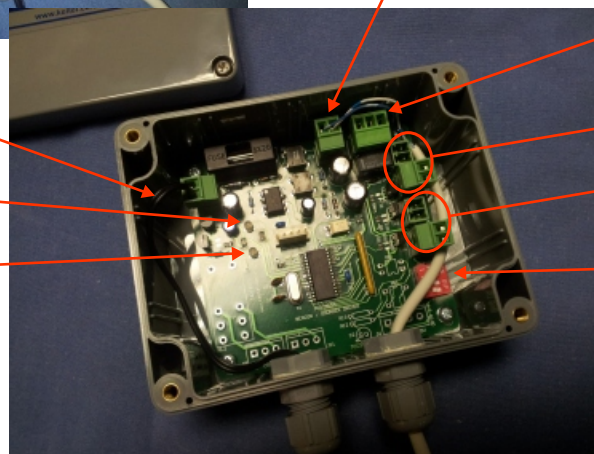
The unit is equipped with a low current relay output as well as two open collector outputs and two dry contact/voltage inputs. There's also an option for a high current relay output as well if required (available as a factory fit). Unit is powered from a 12Vdc (supplied) which has a wide input range (90-265Vac).



POWER
12Vdc I/P

Line Condition
(Pulse GRN=Idle/RED=Ring/GRN=Off-Hook)

Output Condition
(Pulse GRN=Idle/GRN=Output On)



TELE LINE I/P

RELAY O/P
(NO/NC)

OPEN COLLECTOR
O/P

DRY CONTACT I/P

SWITCH
OPTION

SW	OFF	ON
1	BEACON AUTO ON/OFF	BEACON ON TILL SWITCH PRESSED
2	TIMED BEACON OFF	TIMED BEACON CLEARS AFTER 4sec
3	UNUSED	UNUSED
4	UNUSED	UNUSED

Specification

Connects to standard 2W extension
Operates on 2W PSTN if required
LEDs Provided for Line & Output Status

Ports -

- 1x Tele Line Input (Ring & Loop Detect)
- 1x Low Current Dry Contact Output (NO/NC)
- 1x High Current Dry Contact Output (option)
- 2x Dry Contact (or Voltage Feed) Inputs
- 2x Open Collector Outputs

Operation -

- Detects Ring and/or Loop
- Resets on Time/Loop/External Input
- Outputs Permanent or Timed
- Outputs operate independently

All connections to unit via plug-in screw terminal

Fitted with gland for cable inlets

PSU 12Vdc 500mA I/P90-265Vac 50-60Hz

Wall Mount Enclosure

Size - 115 x 90 x 55mm

Weight - 300g (inc PSU & cables)