

AS2660 - Emergency Handset

Connects to Standard Cat5

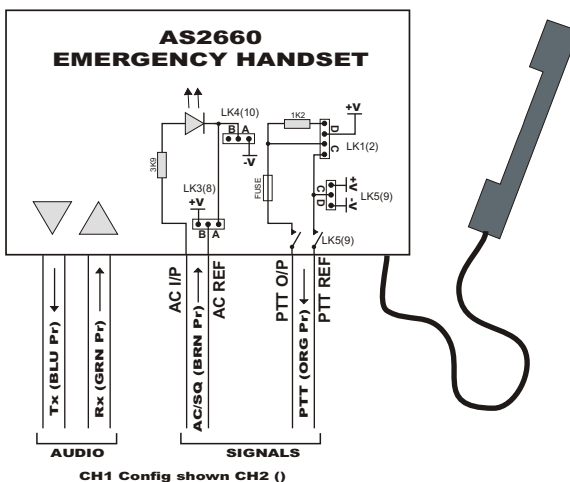
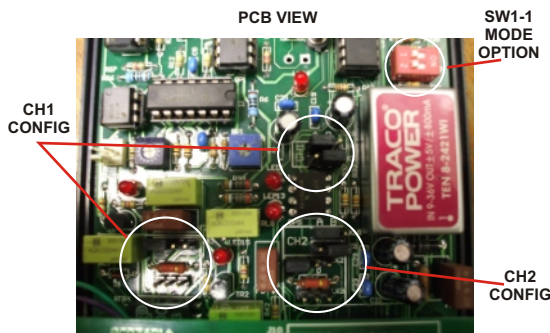
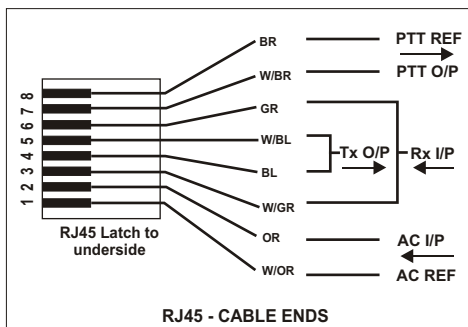
110/240V power via In-Line PSU

Lamps & keys for each Channel

Description

The AS2660 Emergency Handset Unit provides a means of connecting to two independent radio sets from a single handset. The unit is equipped with an integral handset fitted to a cradle with hook switch to activate the unit in cases of emergency. Each channel has a key to select Rx & Tx and lamps to show its operational status as well as PTT and AC (Aircraft Call/Squelch).

All connections to radios are via standard RJ45s and colour coding is as per a standard Cat5 cable. Unit is powered from a standard in-line 24Vdc PSU. During on-hook the unit is completely isolated from the radio within-line relays. When the unit is activated with off-hook it enables the line relays and defaults to Ch1 Rx&Tx and Ch2 Rx only (resets to this on power on/off). This status can be changed and when deactivated then reactivated it will carry its previous state. User audio levels can be adjusted to suit from front panel of unit.



Operation

On-Hook all ports isolated from line
 Off-Hook - Unit defaults to Ch1 Tx&Rx and Ch2 Rx
 Channel status retained during on-hook
 Channel status can be set by Ch push buttons
 - OFF > Rx > Rx&Tx > OFF
 AC Lamp illuminates on incoming AC/SQ
 Incoming Audio opens on AC (SW1-1 OFF)
 - if SW1-1 ON then I/C audio muted if PTT present on same channel.
 PTT demutes mic and O/G audio on active channels

Technical

Handset
 2m Coily Cord
 Integral PTT
 Noise Cancelling Microphone (Electret)

Line Connection

RJ45 for simple line connection
 Audio - 600ohm Tx/Rx
 PTT - Dry contact or voltage O/P
 AC/SQ - Optoisolated (dry contact or volts I/P)
 Option for cable entry from base or rear

Power

In-Line 24Vdc PSU (110 to 240Vac I/P)
 'I' Quiescent = 30mA 'I' Active = 100mA

Weight - 500g
 Size - 175(225) x 90(90) x 40(125)mm
 (inc handset)