

# AS2491 - ASS10FD - 10 Slot Dual PSU Fibre Shelf

Standard 3U 19" Format

Holds 10x Single Extended Eurocards

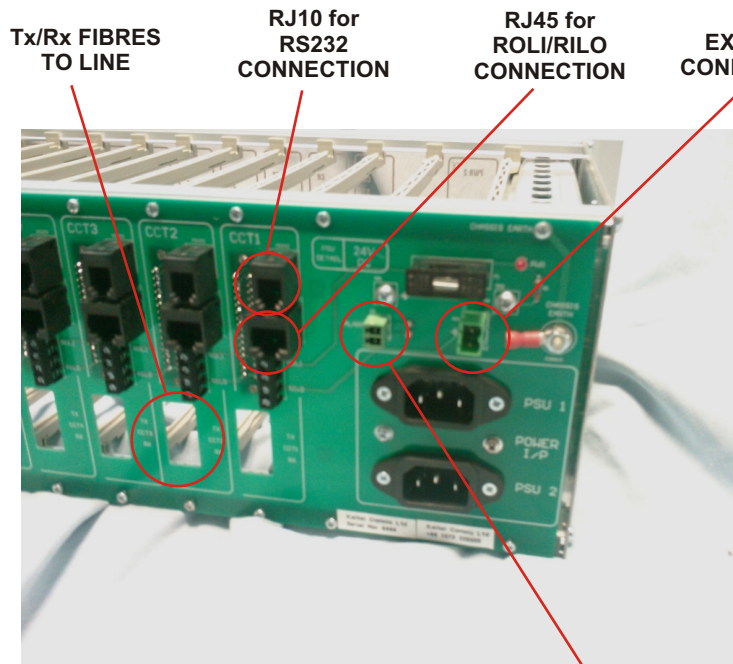
Dual 24V PSUs

### Description

The ASS10FD Shelf is of standard 3U 19" construction ready for fitment to a 19" cabinet. It can house up to ten single extended eurocard FibTel PCBs with a backplane configured for access to fibre connections via an open aperture under each set of card connections.

The backplane is equipped with two panel mounted IEC connectors for external 240Vac connection. Unit also has a two pin pluggable screw terminal connections for power take off from the unit or to allow external power to be fed to the shelf. Each converter slot is equipped with a 4way screw terminal and RJ45 and RJ10 for telecom and data connections respectively.

The unit is also fitted with an earth stud for Protective Earth and one for Chassis Earth. These can be linked if required and provide a method of connecting back to a clean mains earth point.



Tx/Rx FIBRES TO LINE

RJ10 for RS232 CONNECTION

RJ45 for ROLI/RILO CONNECTION

EXT PWR CONNECTION

BACKPLANE VIEW

ALARM O/P



AS2240 PSU  
(Fits into slots in AS2491 shown opposite)

2x PSU Slots for 24Vdc PSUs

Front View of ASS10FD

10x Slots for Fibre Converters

