

AS2476 - MM Fibre to RS232 Rack mount Card

Bi-Directional Communications

Single Extended Eurocard

Shelf Mounted

Description

The fibre to RS232 Signalling adaptor can provide bi-directional conversion for baud rates upto 9600. The unit can also be factory configured for operating on Singlemode or Multimode Fibre. The units can be connected as shown below to provide a audio path extension or likewise to mimic a dry contact (for PTT etc) between two locations. Local signal connections and DC power are presented on a DIN41612, fibre is via ST connectors.

Various iterations of the basic unit are available including 24V or 48Vdc power, ROLI/RILO for long line extensions, 4W audio and dry contact (E&M) signalling.

Setup

If the loss over the fibre line will be greater than 6dB then Lk4 on the board should be set to HI (High Power).

Operation

The lamps on the unit facia reflect the operation of the line-side connection (fibre). In IDLE the Carrier lamp will be ON solid GRN (if no carrier the lamp illuminate solid RED) When a packet of RS232 data is sent or received the STATUS lamp will flash GREEN.

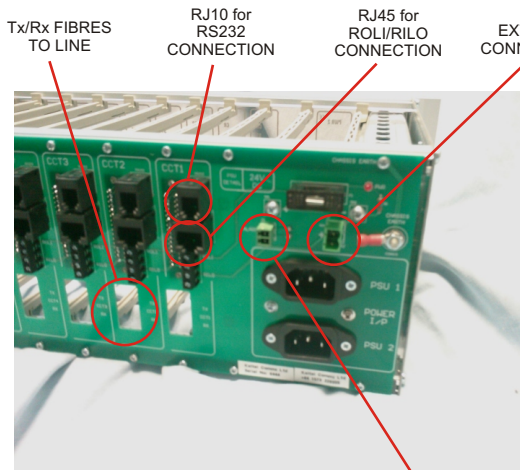


Configuration Options

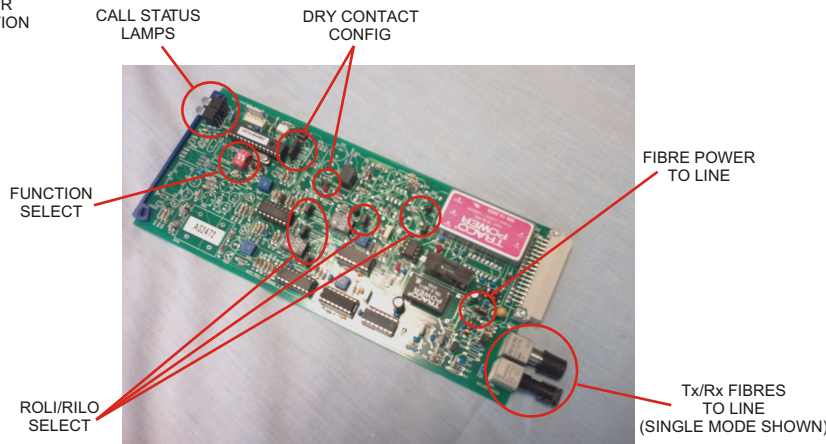
RS232 OPERATION - no links or option switches need to be set.

See Pinout below for RS232 port

SEE OPTION DIAGRAMS OPPOSITE



BACKPLANE VIEW



AS2476 PCB VIEW

