

# AS1801 - ROLI/RILO to AC15 Converter (-50V I/P)

Bi-Directional Conversion

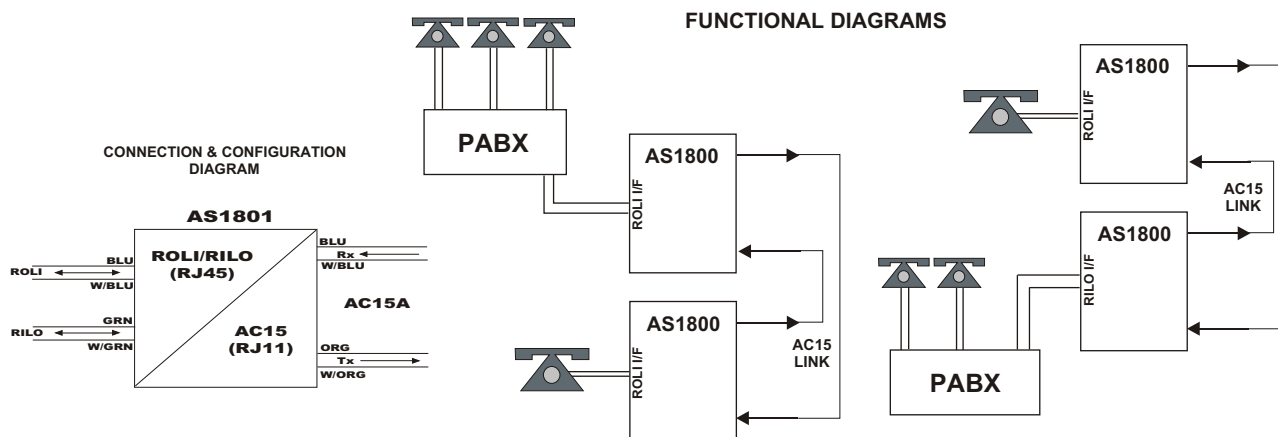
Small Compact Unit

48Vdc Battery Feed

## Description

The AS1800 converts from ROLI or RILO to AC15A. Signalling to the AC15 line is provided on the RJ12 connection where as the ROLI/RILO connection is presented on the RJ45. The ROLI/RILO connections are presented on different pairs of the RJ45 and are switch selectable on the side of the unit. This allows either unit to be used as a ROLI or RILO which means that either a long line extension or Hotline system can easily be created.

Power is supplied via a pluggable screw terminal for connection to the unit.



## Technical

### AC15A

Terminated - 4W 600ohm  
 Signalling - 2280Hz @ -14/-24dBm  
 Tone On Idle Both Ways  
 Passes Pulse or DTMF Dialling

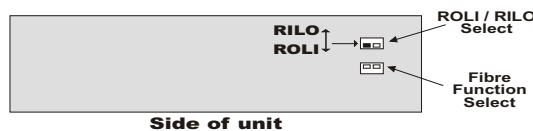
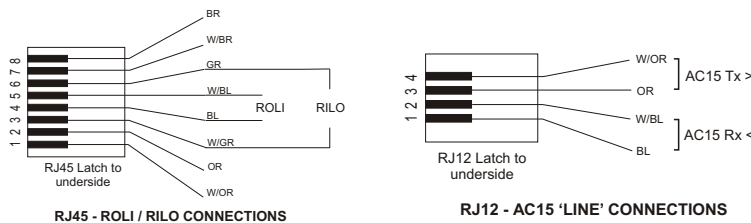
### ROLI

24V Battery Line Feed  
 55Vrms Ringing @ 25Hz

### RILO

Loop to Line (BS6305)  
 REN 1

Unit Powered from -48Vdc  
 Supplied with all associated cables  
 Standalone Desk or Wall Mount Unit  
 Weight - 350g  
 Size - 180 x 90 x40 mm



## LED Operation

Rx GRN - OFF when TONE ON (Idle)  
 Rx GRN - ON when NO TONE (Seize/Call)  
 Tx RED - OFF when 'M' Earth Off (Idle)  
 Tx RED - ON when 'M' Earth On (Seize/Call)