

AS1690 - AS44 MkIV AC15A to DC5 (E&M)

Bi-Directional Conversion

Single Extended Eurocard

Wall or Shelf Mounted

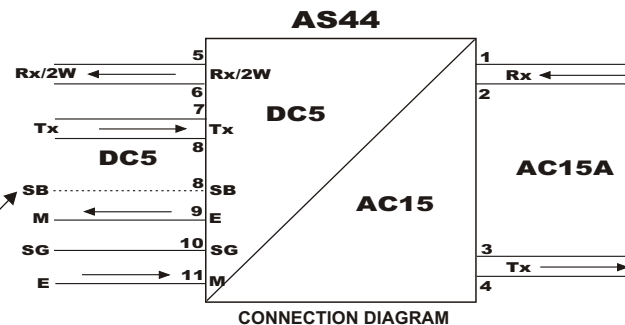
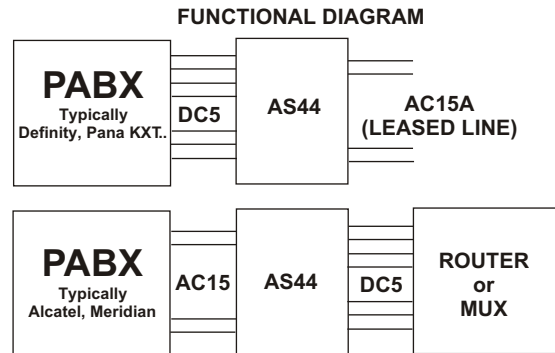
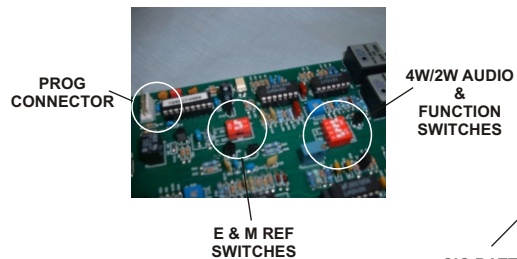
Description

The AS44 provides conversion between two signalling methods, AC15A and Dc5 (or E&M). The conversion can be in either direction allowing AC15A from a PABX to be converted to E&M onto a multiplexer or Dc5 from a PABX to an AC15A line by a service provider.

The DC5 or E&M port can be configured in 2W or 4W audio with signalling connections preset to Type V mode but can be factory altered.

Connections to the PCB must be made via the selected enclosure, typically ASB01/ASS10/ASS12 which will also supply power to the unit.

Power is supplied via a shelf based PSU or plug top PSU depending on enclosure type.



Technical

AC15A

Terminated - 4W 600ohm
 Signalling - 2280Hz @ -14/-24dBm
 Tone On Idle Both Ways
 Passes Pulse or DTMF Dialling

DC5A

Audio - 4W or 2W 600ohm
 2W thru' loss 3.8dBm
 4W thru' loss 0dBm
NOTE - For above set SW1 accordingly

Signalling - Type V
 Idle - Open Circuit
 Seize - 1200ohm to Earth
**NOTE - To link E Ref to 0V (+ve) set SW3 E ON
 - To link M Ref to -48V set SW3 M ON**

Unit Powered by nominal 35V to 56V dc

House in ASB01 or ASS10/12

Weight - 250g
 Size - 100 x 220 x 25 mm

Alistair Douglas
 10/10/06