

# PCU44 MkIII - AC15A to DC5 (E&M)

Bi-Directional Conversion

Small Compact Unit

External Mains Powered

## Description

The PCU44 MkIII provides conversion between two signalling methods, AC15A and DC5 (or E&M). The conversion can be in either direction allowing AC15A from a PABX to be converted to E&M onto a multiplexer or DC5 from a PABX to an AC15A line by a service provider.

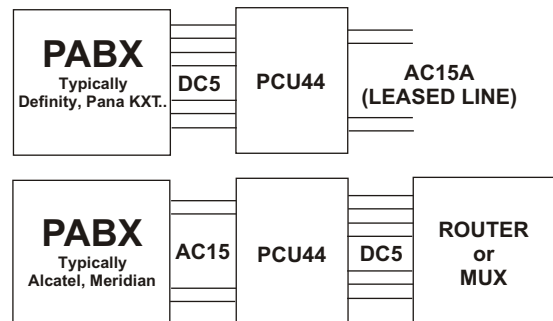
The DC5 or E&M port is configured as 4W audio with signalling connections in Type V mode (can be altered for other variants). Connections are presented on an RJ45 socket and a patch lead is provided with the unit. The unit can be strapped internally to provide connections on the RJ45 in a standard Cat 5 format if required.

The AC15A port is presented on an RJ11 connector with Tx and Rx provided on a cable supplied with the unit.

Power is supplied via an external in-line PSU with a standard DC plug for connection to the unit.



## FUNCTIONAL DIAGRAM



## Technical

### AC15A

Terminated - 4W 600ohm  
 Signalling - 2280Hz @ -14/-24dBm  
 Tone On Idle Both Ways  
 Passes Pulse or DTMF Dialling

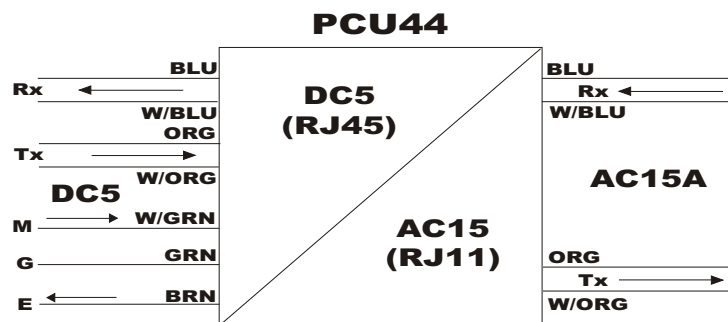
### DC5A

Audio - 4W 600ohm  
 4W thru' loss 0dBm  
 (Can be factory set for loss)

Signalling - Type V  
 Idle - Open Circuit  
 Seize - 1200ohm to Earth

Unit Powered by 24V plug top PSU  
 Supplied with all associated cables  
 Standalone Desk or Wall Mount Unit

Weight - 250g  
 Size - 100 x 220 x 25 mm



Alistair Douglas  
 07/10/05