

1U - Unilink Hotline Unit

Integral Connections

24V Powered

Wall Mount Enclosure

Description

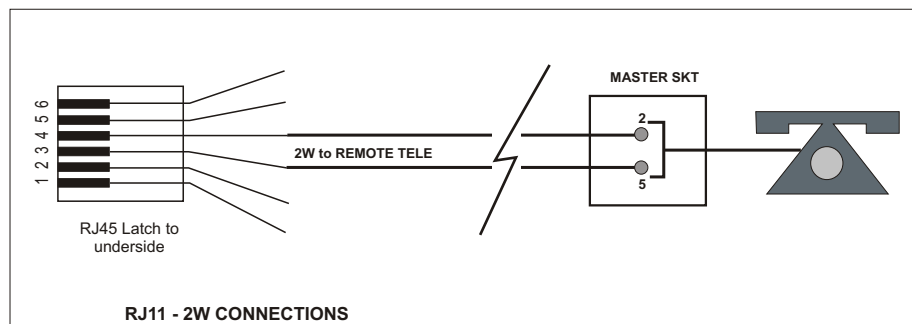
The UNILINK is a basic Hotline unit for connecting two simple 2W telephones over copper cable up to a distance of 6Km.

The unit can be powered from a plug top PSU or from a nominal 24V battery source.

All line feed, ring generator and supervisory tone circuits are contained in a single enclosure for stand alone installation.

Typical uses are for independent hotline systems for lift shafts, point to point links in field environments, surgeries etc.

Alternative versions are available for portable or fixed installations including a rugged enclosure version for field use.



Technical

240Vac (via plugtop) or 24Vdc Powered
 BT631A for Telephone Connection
 Internal Ring Generator
 Provides Supervisory Tones

Weight - 700g
 Size - 85 x 85 x 60 mm

