

PCU44 MkII - AC15A to DC5 (E&M)

Bi-Directional Conversion

Small Compact Unit

External Mains Powered

Description

The PCU44 MkII provides conversion between two signalling methods, AC15A and Dc5 (or E&M). The conversion can be in either direction allowing AC15A from a PABX to be converted to E&M onto a multiplexer or Dc5 from a PABX to an AC15A line by a service provider.

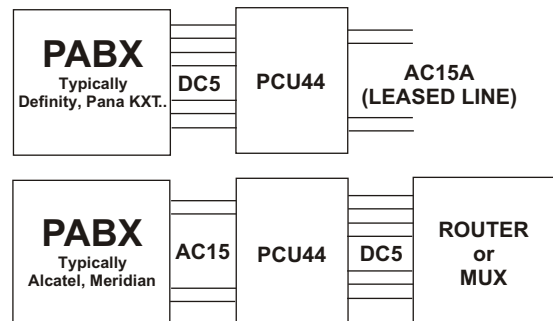
The Dc5 or E&M port is configured as 4W audio with signalling connections in Type V mode. Connections are presented on an Rj45 socket and a patch lead is provided with the unit.

The AC15A port is presented on an Rj11 connector with Tx and Rx provided on a cable supplied with the unit.

Power is supplied via an external plug top PSU with a keyed connector to prevent reversed power.



FUNCTIONAL DIAGRAM



Technical

AC15A

Terminated - 4W 600ohm
 Signalling - 2280Hz @ -14/-24dBm
 Tone On Idle Both Ways
 Passes Pulse or DTMF Dialling

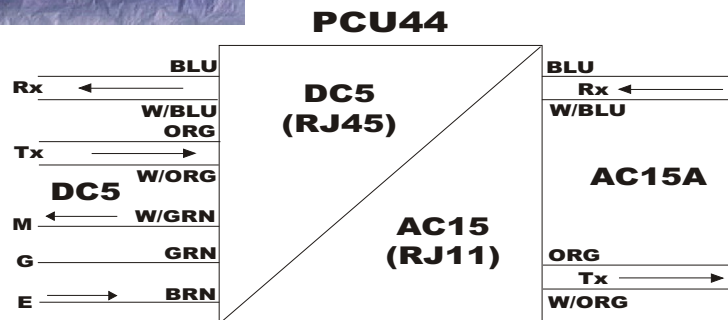
DC5A

Audio - 4W 600ohm
 4W thru' loss 0dBm
 (Can be factory set for loss)

Signalling - Type V
 Idle - Open Circuit
 Seize - 1200ohm to Earth

Unit Powered by 24V plug top PSU
 Supplied with all associated cables
 Standalone Desk or Wall Mount Unit

Weight - 250g
 Size - 100 x 220 x 25 mm



Alistair Douglas
 10/12/03