

AS50LXV - Line Extender

Extends up to 1400R loop

Single Extended Eurocard

Wall or Shelf Mounted

Description

The Signalling Converter AS50LXV is a Single Extended Eurocard Plug in module configured as a Single Port Line Repeater for boosting the extension port from a standard CRA or router to a remote telephone set. The RILO port of the unit emulates a telephone onto the system port to be extended and the ROLI port provides exchange battery and ringing to the remote telephone.

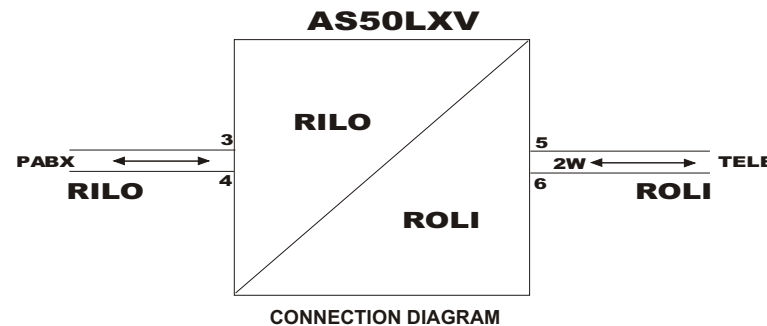
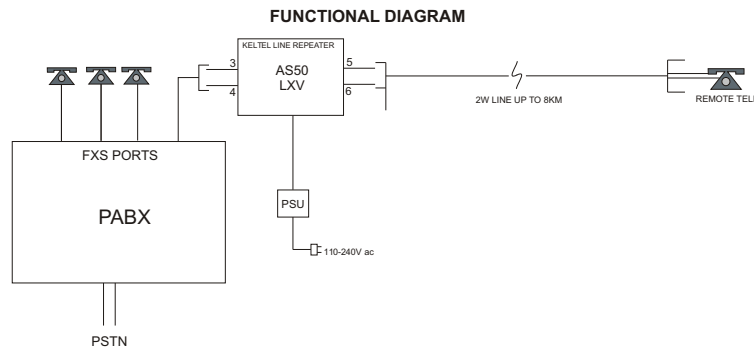
The unit is capable of driving up to 1400ohm loop on the remote telephone side. This typically equates to 8Km of 0.4mmsq cable (CW1308).

Power is supplied via a shelf based PSU or plug top PSU depending on enclosure type.



Key Features -

- Extends FXS up to 1400R loop
- Standalone unit with ext PSU
- Amplifies by 1.5dB (adjustable)
- Krone Conns for user wiring.
- Nominal 48Vdc power supply



Technical

ROLI (Line Side):

- Attached Equipment - Telephone or CRA trunk port.
- Battery Feed - 48V nom
- Ring Current - 75V rms min. at 25Hz (REN 4)
- Recall -Time Break (No Earth Recall)
- Dialled Digits - Pulse or DTMF

RILO (Office Side):

- CRA extension telephone port. (REN Value 1)
- Ring Detector - Sensitivity < 35Vrms

Operational Details :

- Through Audio amplified by 1.5dB in both directions
- Capable of driving 1400ohm loop

Physical Details :

- Can be Housed in an ASB01 or ASS10/12 -

Weight - 250g : Size - 100 x 220 x 25 mm