

AS50 - ROLI/RILO to DC5A (E&M)

Bi-Directional Conversion

Single Extended Eurocard

Wall or Shelf Mounted

Description

The Signalling Converter AS50 is a Single Extended Eurocard Plug in module providing conversion of one DC5 (E&M) voice circuit to ROLI CRA loop calling port (or simple telephone), or RILO, 2W extension port of a CRA.

The unit can be used in various modes to provide either Long Line Ext or Ringdown facilities over a DC5 link (Mux, Satellite, etc) or over physical pairs. Ring generation for the attached equipment is supplied on board.

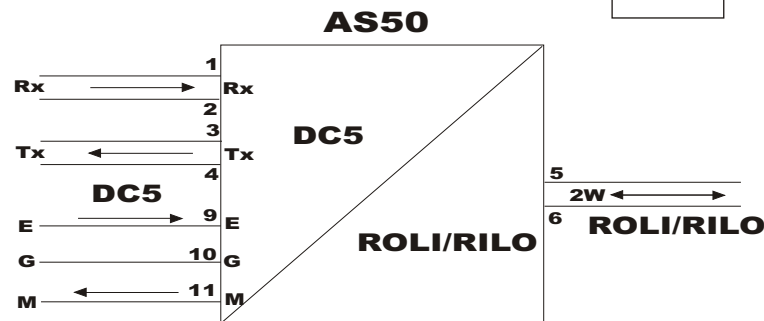
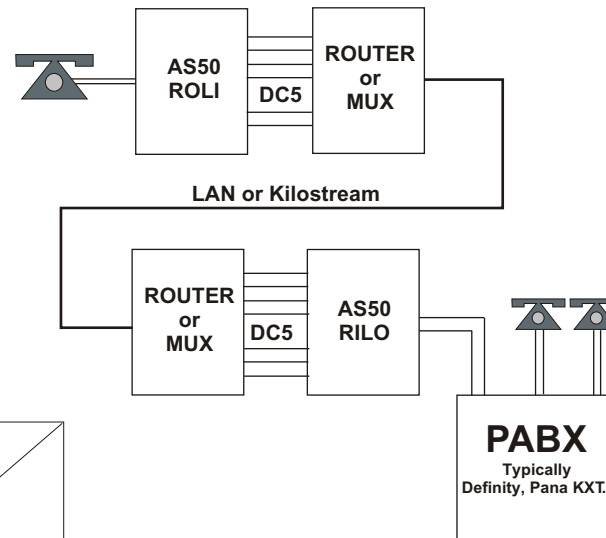
DC5 Audio configuration is user selectable for 2W or 4W by a jumper link.

DC5 Signalling configuration can be altered with user links.

Power is supplied via a shelf based PSU or plug top PSU depending on enclosure type.



TYPICAL FUNCTIONAL DIAGRAM



CONNECTION DIAGRAM

Technical

ROLI

Battery Feed - 48V nom. To tele or CRA trunk port
 Ring Current - 75V rms min. at 25Hz (REN 4)
 Ring Cadence -
 TIE : Continuous - LLE : Follows E lead.
 Passes Pulse or DTMF dial and TBR

RILO :

Connects to CRA extension (REN Value 1)
 Ring Detector - Sensitivity < 35Vrms
 M Lead output -
 LLE : M follows ring - TIE : Perm O/P during ringing.

DC5A

Audio - 4W or 2W 600ohm
 Signalling - Type V standard (others selectable)

Unit Powered by nominal 48V dc supply
 House in ASB01 or ASS10/12

Weight - 250g : Size - 100 x 220 x 25 mm