

# AS44 - AC15A to DC5 (E&M)

Bi-Directional Conversion

Single Extended Eurocard

Wall or Shelf Mounted

## Description

The AS44 provides conversion between two signalling methods, AC15A and Dc5 (or E&M). The conversion can be in either direction allowing AC15A from a PABX to be converted to E&M onto a multiplexer or Dc5 from a PABX to an AC15A line by a service provider.

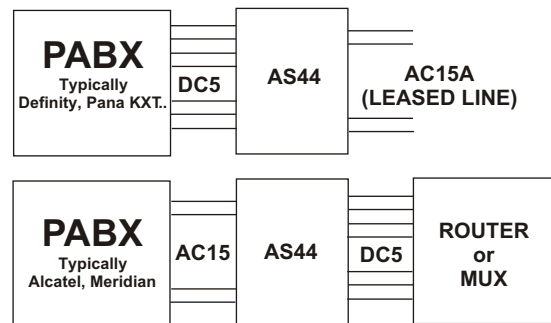
The Dc5 or E&M port can be configured in 2W or 4W audio with signalling connections preset to Type V mode but can be factory altered. Connections are presented on either an Rj45 socket or on a krone connector depending on the enclosure type being used.

The AC15A port is presented on either an Rj11 connector or krone connector again depending on the enclosure type being used.

Power is supplied via a shelf based PSU or plug top PSU depending on enclosure type.



## FUNCTIONAL DIAGRAM



## Technical

### AC15A

Terminated - 4W 600ohm  
 Signalling - 2280Hz @ -14/-24dBm  
 Tone On Idle Both Ways  
 Passes Pulse or DTMF Dialling

### DC5A

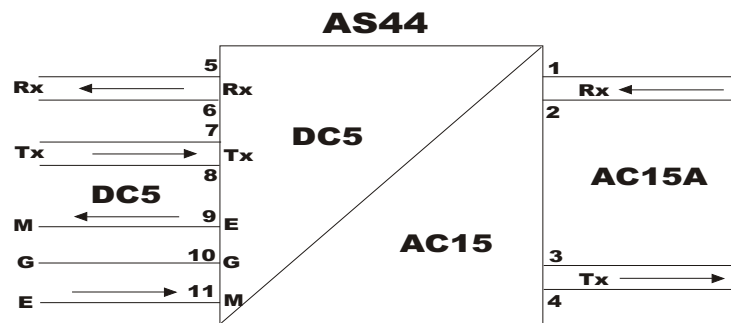
Audio - 4W or 2W 600ohm  
 2W thru' loss 3.8dBm  
 4W thru' loss 0dBm

Signalling - Type V  
 Idle - Open Circuit  
 Seize - 1200ohm to Earth

Unit Powered by nominal 35V to 56V dc

House in ASB01 oe ASS10/12

Weight - 250g  
 Size - 100 x 220 x 25 mm



CONNECTION DIAGRAM

Alistair Douglas  
 10/12/03